



## SR-X100W

### Autofocus Code Reader



\*Please note that accessories depicted in the image are for illustrative purposes only and may not be included with the product.

## Specifications

Model		SR-X100W **2	
Type		Wide-field type (1.4 megapixels)	
Receiver	Sensor		CMOS image sensor
	Number of pixels		1360 × 1024
	Focus		Auto*3
Emitter	Illumination light source		High-intensity red LED*4
	Pointer light source		High-intensity green LED*4
Reading specifications	Supported symbols	2D codes	QR, MicroQR, DataMatrix(ECC200), DMRE, GS1 DataMatrix, PDF417, MicroPDF417, GS1 Composite (CC-A/CC-B/CC-C), DotCode, Maxi Code, Aztec Code
		Barcodes	CODE39, ITF, 2of5 (Industrial 2of5), COOP 2of5, NW-7 (Codabar), CODE128, GS1-128, GS1 DataBar, CODE93, JAN/EAN/UPC, Trioptic CODE39, CODE39 Full ASCII, Pharmacode, Postal (Japan Postal, IMB)
	Minimum resolution	2D codes	0.060 mm
		Barcodes	0.082 mm
	Reading distance		50 to 1000 mm
	Reading field of view		189 × 142 mm (at a distance of 300 mm)
I/O specifications	Control input	Number of inputs	2
		Input type	Bidirectional voltage input
		Maximum rating	30 VDC
		Minimum ON voltage	15 VDC
		Maximum OFF current	0.2 mA
	Control output	Number of outputs	3
		Output type	Photo MOS relay output
		Maximum rating	30 VDC
		Maximum load current	50 mA or less for 1 output, or 100 mA or less in total for 3 outputs
		Leakage current when OFF	0.1 mA or less
		Residual voltage when ON	1 V or less
	Ethernet	Communication standard	IEEE 802.3-compliant 100BASE-TX
		Supported protocols	TCP/IP, SNMP, FTP, SFTP, HTTP, HTTPS, BOOTP, EtherNet/IP™, PROFINET, KV STUDIO, MC protocol, OMRON PLC link
	Serial communication	Communication standard	RS-232C-compliant

		Communication speed	600, 1200, 2400, 4800, 9600, 19200, 38400, 57600, 115200 bps
		Supported protocols	No-protocol, KV STUDIO, MC protocol, SYSWAY
	USB	Communication standard	USB 2.0 High Speed compliant
Ratings	Power voltage		24 VDC +25%/-20%
	Current consumption		Approx. 650 mA
Environmental resistance	Enclosure rating		IP65/IP67 (IEC60529)*5
	Ambient temperature		0 to +45°C
	Relative humidity		35 to 85% RH (No condensation)
	Storage temperature		-10 to +50°C
	Storage relative humidity		35 to 85% RH (No condensation)
Weight			Approx. 180 g

\*1 SR-X100 series does not support the AI filter function.

\*2 System ROM rewrites: 100000

\*3 The focal position can be adjusted automatically during installation or tuning.

\*4 LEDs and lamps are classified as shown below according to IEC 62471 (JIS C 7550).

- Exempt group: Objects that do not cause any photobiological damage.
- Risk group 1 (low risk): Objects that do not cause damage that makes constraints on normal actions necessary.
- Risk group 2 (moderate risk): Objects that do not cause damage accompanied by unpleasant feelings and thermal discomfort.
- Risk group 3 (high risk): Objects that cause damage even due to temporary or short-term exposure.

The risk groups for this product are listed below.

Pointer light source (Green): Risk group 1

Illumination light source (Red): Risk group 1

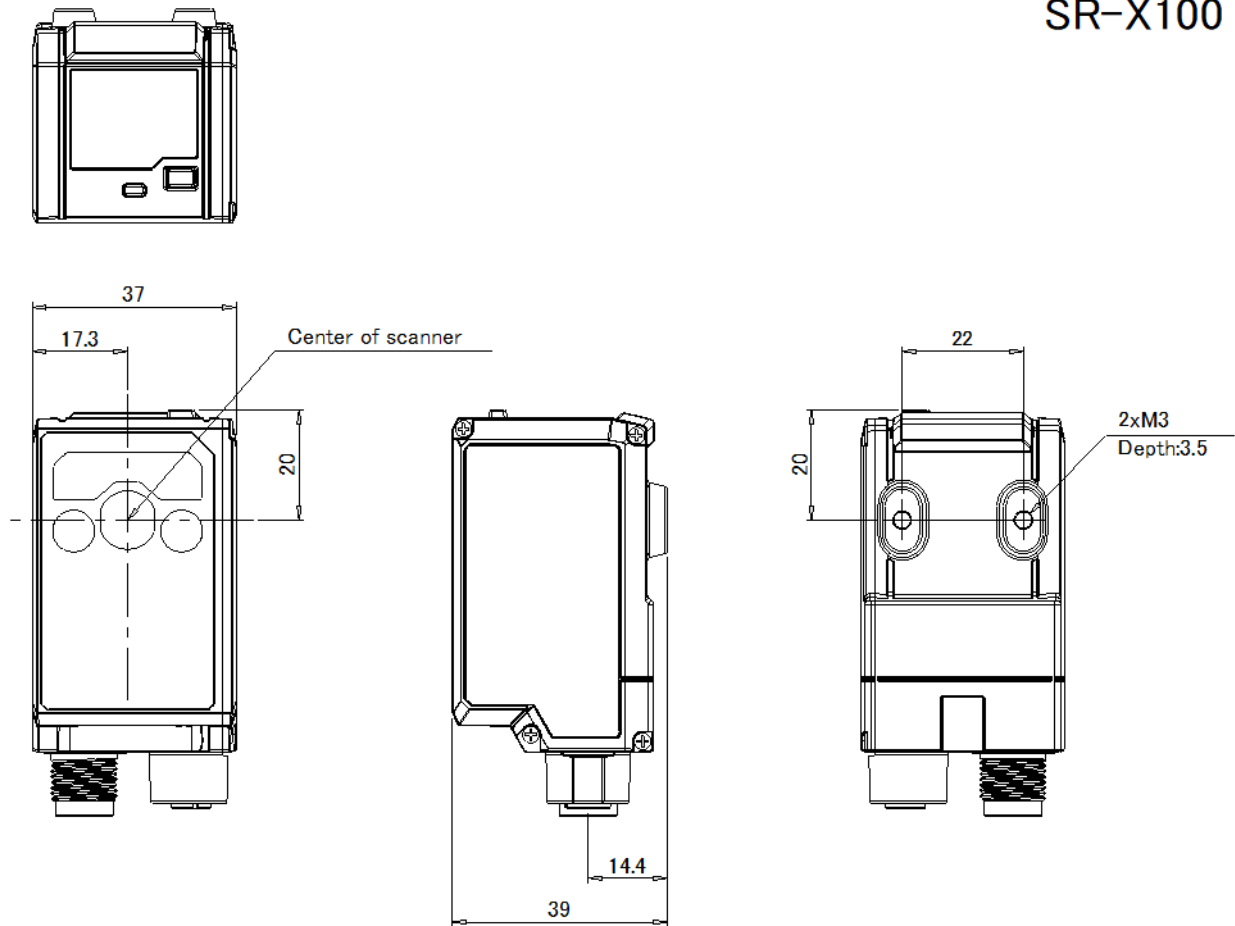
Illumination light source (White), Advance only: Risk group 1

\*5 Attach a USB port cover to meet the protective structural specification.

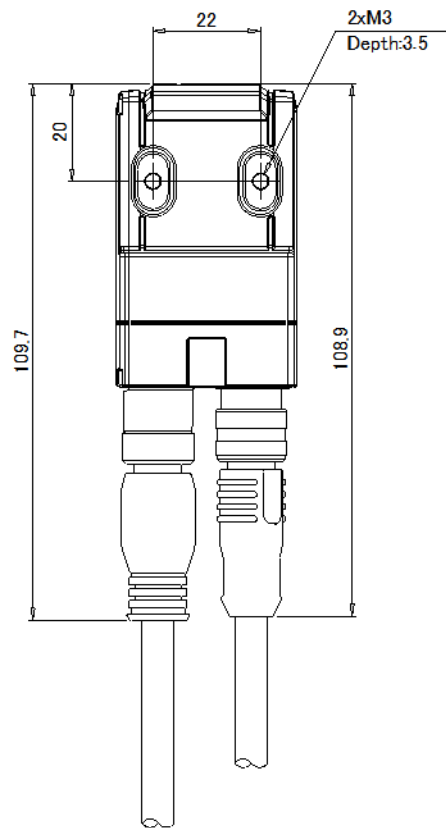
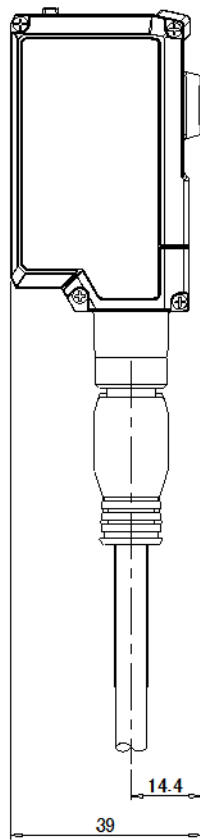
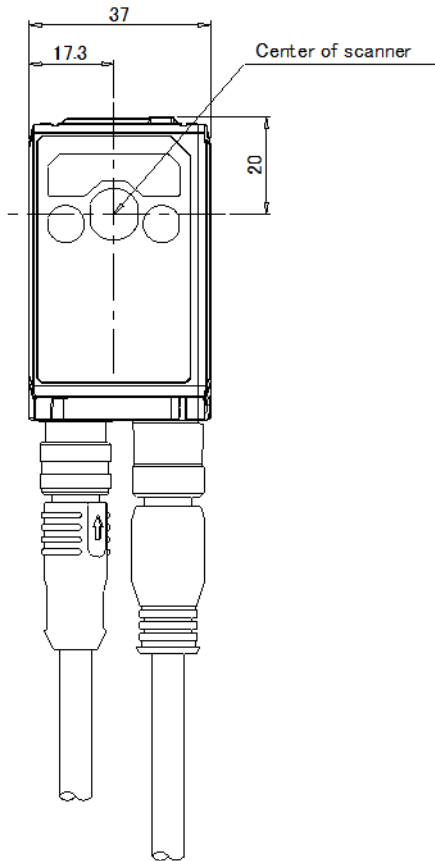
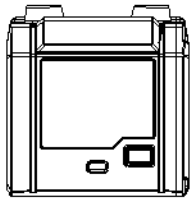
## Dimensions

\* Download CAD file or product manual for larger image/text and more detail.

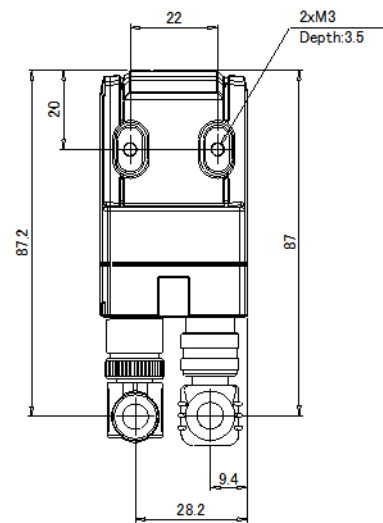
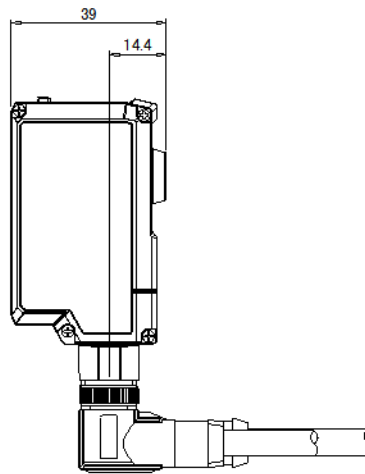
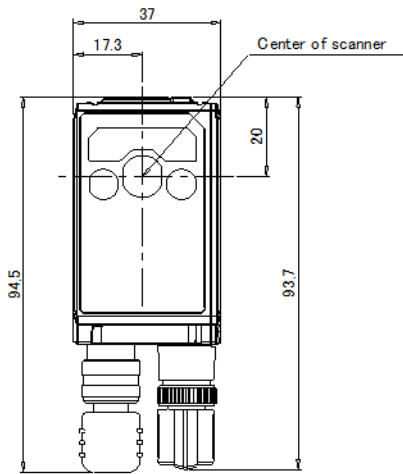
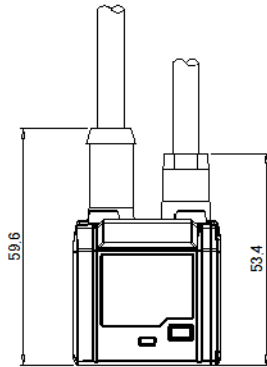
### SR-X100



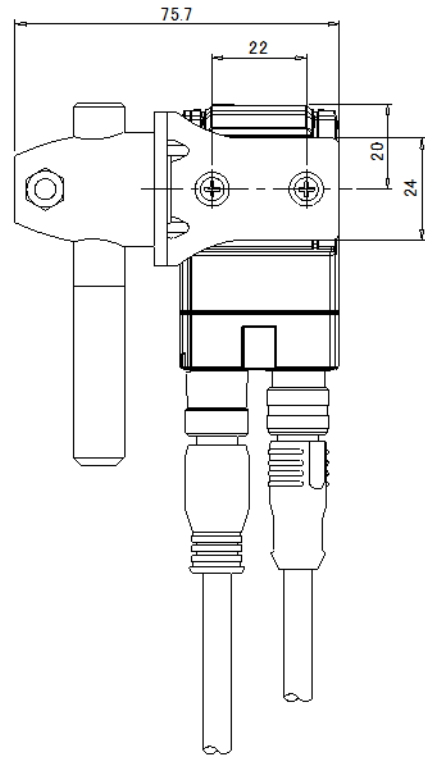
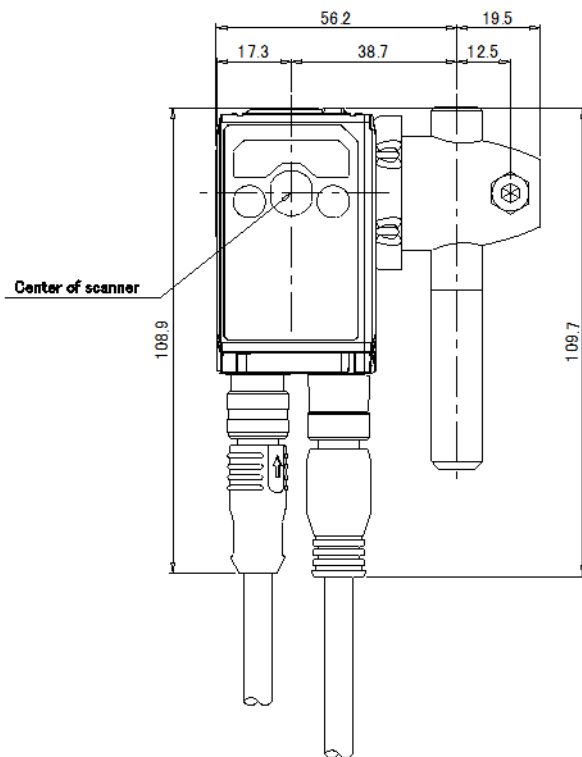
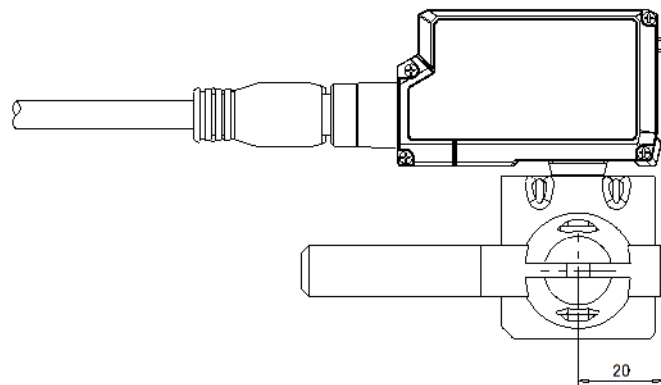
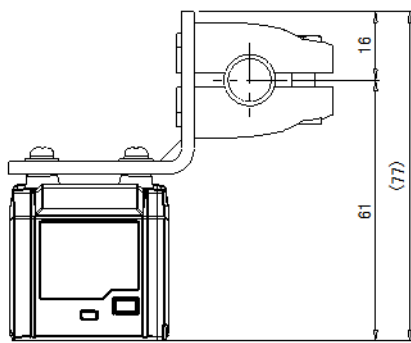
SR-X100\_CABLE



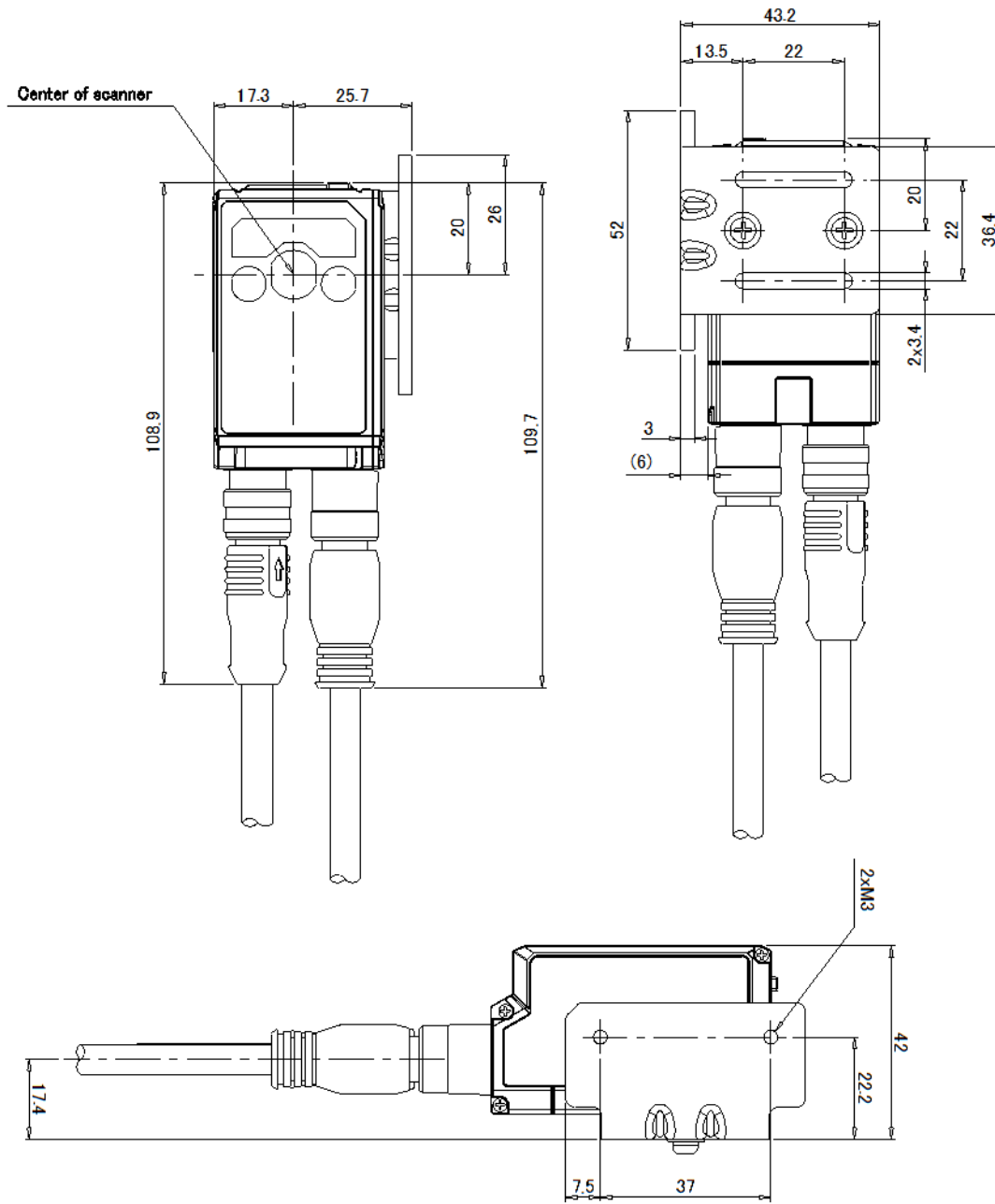
SR-X100\_L-CABLE



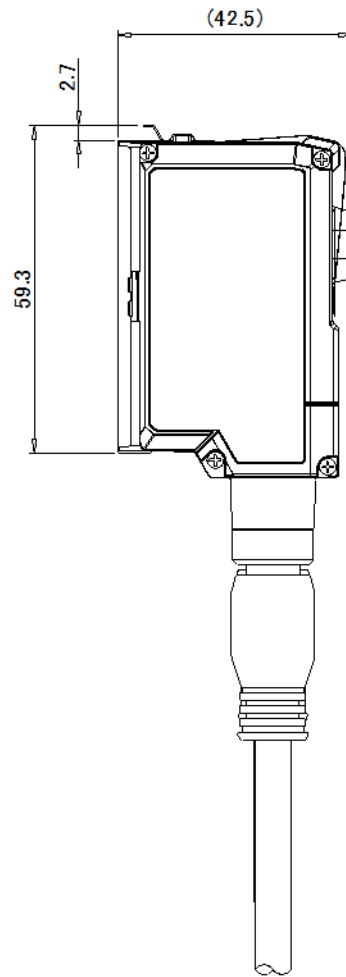
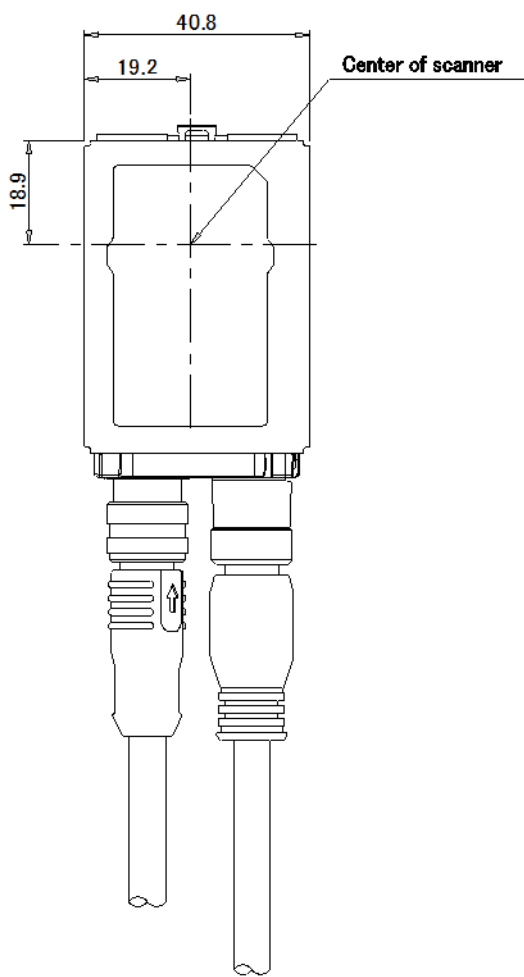
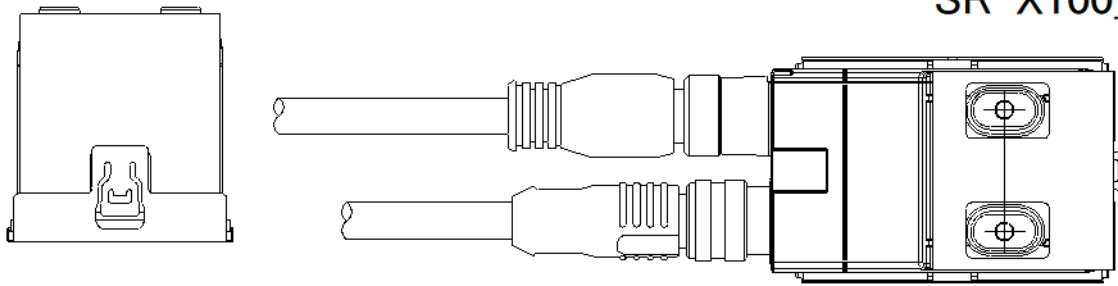
SR-X100\_OP-88697



SR-X100\_OP-88698



SR-X100\_XESD



SR-X100\_XLP

