

# Product datasheet

Specifications



7 inch wide screen, Universal model, 2 serial ports, 1 Ethernet port, embedded RTC

HMIGXU3512

## Main

Range of product	Harmony Easy GXU
Product or component type	Advanced touchscreen panel
Display type	LCD touch screen
Display colour	65536 colours
Display resolution	800 x 480 pixels WVGA
Display size	7 inch

## Complementary

Backlight lifespan	20000 hours
[Us] rated supply voltage	24 V DC
Software designation	Vijeo Designer Basic configuration software
Memory description	Internal, 48 MB for application Internal DDR, 128 MB Internal, 128 kB for backup
Integrated connection type	USB type mini B COM1 serial link: 9-way male SUB-D connector, RS232C COM2 serial link: 9-way male SUB-D connector, RS422/RS485 USB type A Ethernet 10/100BASE-TX
Cut-out dimensions	190 x 135 mm

## Environment


Quality labels	CE
Ambient air temperature for operation	0...50 °C
Ambient air temperature for storage	-20...60 °C
IP degree of protection	IP65 (front panel)

## Packing Units

Unit Type of Package 1	PCE
Number of Units in Package 1	1
Package 1 Height	9.163 cm
Package 1 Width	18.024 cm

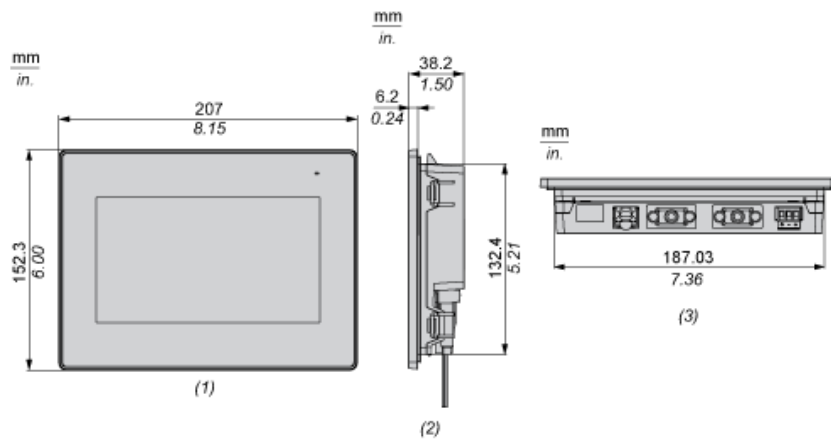
Package 1 Length	25.544 cm
Package 1 Weight	910 g
Unit Type of Package 2	S04
Number of Units in Package 2	12
Package 2 Height	30 cm
Package 2 Width	40 cm
Package 2 Length	60 cm
Package 2 Weight	11747 g
Unit Type of Package 3	P12
Number of Units in Package 3	144
Package 3 Height	95 cm
Package 3 Width	80 cm
Package 3 Length	120 cm
Package 3 Weight	149964 g

## Offer Sustainability

Sustainable offer status	Green Premium product
REACH Regulation	<a href="#">REACH Declaration</a>
EU RoHS Directive	Pro-active compliance (Product out of EU RoHS legal scope) <a href="#">EU RoHS Declaration</a>
Mercury free	Yes
RoHS exemption information	<a href="#">Yes</a>
China RoHS Regulation	<a href="#">China RoHS declaration</a>
Environmental Disclosure	<a href="#">Product Environmental Profile</a>
Circularity Profile	<a href="#">End of Life Information</a>
Upgradeability	<a href="#">Upgradeable through digital modules</a> 

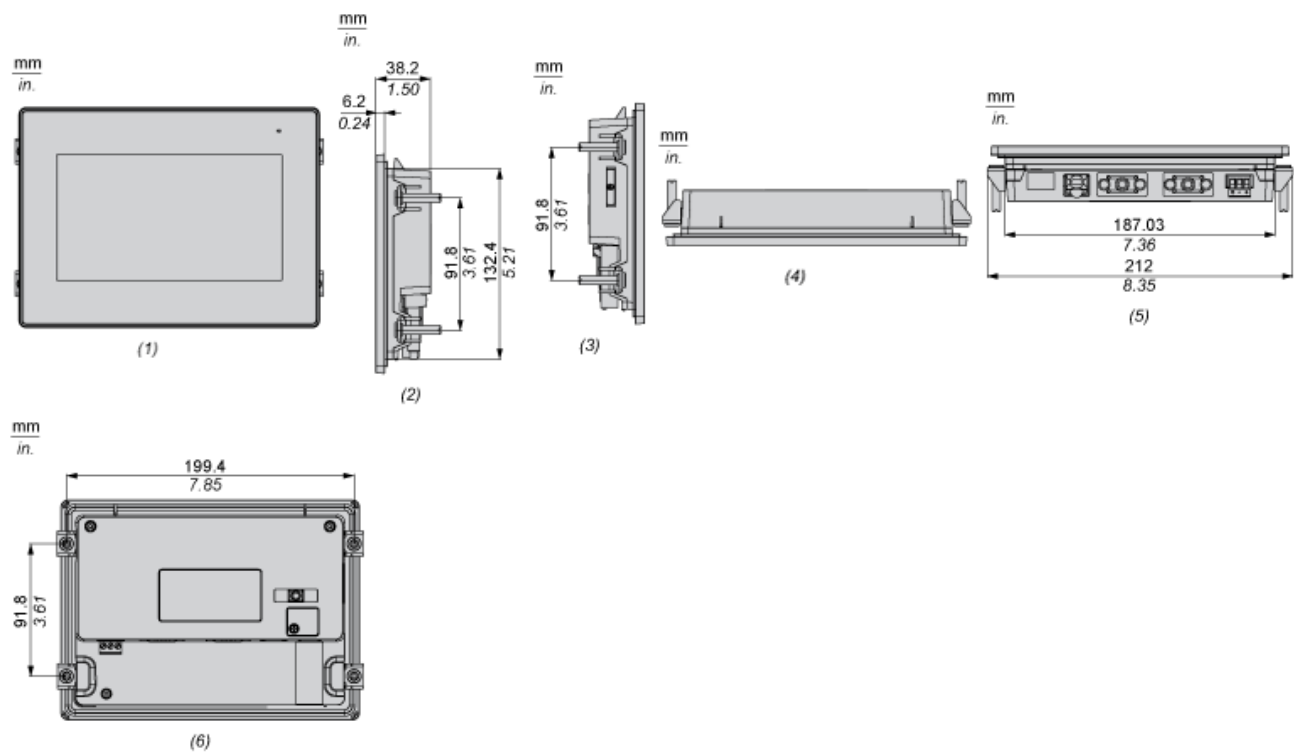
**Dimensions**

**External Dimensions**



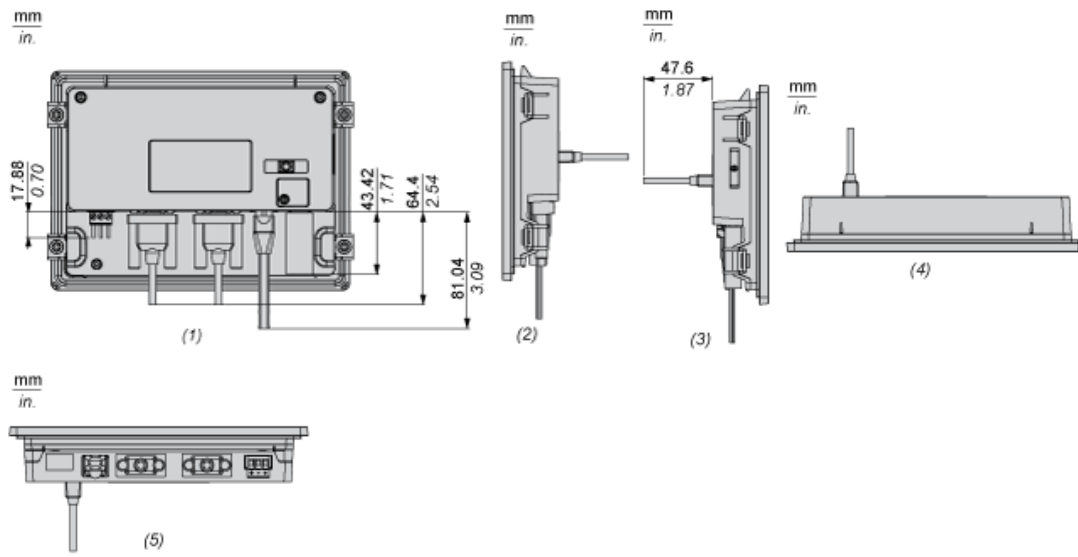
- (1) Front
- (2) Right
- (3) Bottom

**Installation with Installation Fasteners**



- (1) Front
- (2) Right
- (3) Left
- (4) Top
- (5) Bottom
- (6) Rear

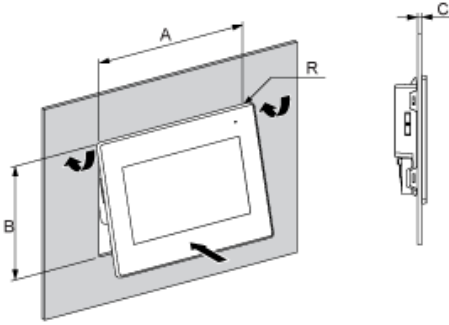
## Dimensions with Cables



- (1) Rear
- (2) Right
- (3) Left
- (4) Top
- (5) Bottom

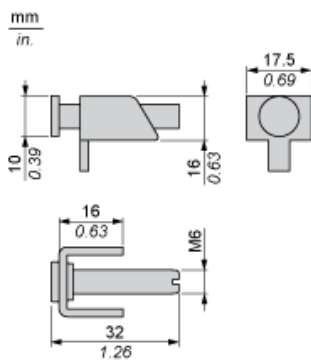
**Mounting**

**Panel Cut Dimensions**



A		B		C		R	
mm	in.	mm	in.	mm	in.	mm	in.
190 <sup>±1</sup>	7.48 <sup>±0.04</sup>	135 <sup>±0.7</sup>	5.31 <sup>±0.03</sup>	1...5	0.04...0.19	3 max	0.12 max.

**Installation Fasteners Dimensions**



**Installation Requirements**

---

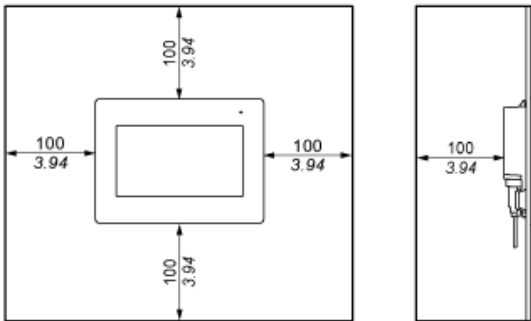
**Mounting Angle**



When installing the panel in a slanted position, and the panel face inclines more than 30°, the ambient temperature must not exceed 40 °C (104 °F).

**Clearance**

$\frac{\text{mm}}{\text{in.}}$



**Recommended replacement(s)**