

Product datasheet

Specifications



Discrete solid state I/O base DC, Modicon TSX Micro, 16 inputs, 2/3 wire proximity sensors, TBLK

TSXDMZ28DT

⚠ Discontinued on: 21 Jun 2022

⚠ To be end-of-service on: 31 Dec 2027

⚠ Discontinued

Main

Range of product	Modicon TSX Micro automation platform
Product or component type	Discrete solid state I/O base DC
Discrete input number	16 1 HE-10 connector
Discrete input voltage	24 V DC, discrete input logic: positive
Discrete input current	7 mA
Discrete input type	Resistive
Discrete output number	12 screw terminal block
Discrete output voltage	24 V DC
Discrete output current	0.5 mA
Discrete output logic	Positive

Complementary

Input voltage limits	≥ 11 V at state 1 < 5 V at state 0
Current state 0 guaranteed	≤ 1.5 mA
Current state 1 guaranteed	≥ 2.5 mA
Input impedance	3.4 Ohm
Response time	≤ 0.5 ms from state 1 to state 0 output ≤ 0.5 ms from state 0 to state 1 output 0.1...7.5 ms from state 1 to state 0 input 0.1...7.5 ms from state 0 to state 1 input
Input compatibility	2-wire/3-wire proximity sensor
Current consumption	132 mA
Power dissipation in W	3.5 W by module output 0.15 W by channel output 5 W input
Output voltage limits	19...30 V
Output current limits	0.625 A
Maximum leakage current	0.5 mA at state 0
[Ures] residual voltage	0.3 V
Load impedance ohmic	48 Ohm
Switching frequency	$< 0.6/LP^2$ Hz
Output overvoltage protection	By zener diode

Output short-circuit protection	By current limiter and electronic circuit breaker
Reverse polarity protection	Reverse diode on power supply
Paralleling of outputs	Yes : 2 maximum
Isolation voltage	1500 V for 1 s
Product weight	0.425 kg

Environment

Standards	IEC 1131-2 Type 1
------------------	-------------------

Packing Units

Unit Type of Package 1	PCE
Number of Units in Package 1	1
Package 1 Height	5.5 cm
Package 1 Width	18.0 cm
Package 1 Length	26.0 cm
Package 1 Weight	534.0 g

Contractual warranty

Warranty (in months)	18
-----------------------------	----



Environmental Data

Schneider Electric aims to achieve Net Zero status by 2050 through supply chain partnerships, lower impact materials, and circularity via our ongoing “Use Better, Use Longer, Use Again” campaign to extend product lifetimes and recyclability.

[Environmental Data explained >](#)

[How we assess product sustainability >](#)

Use Longer



Lifetime extension

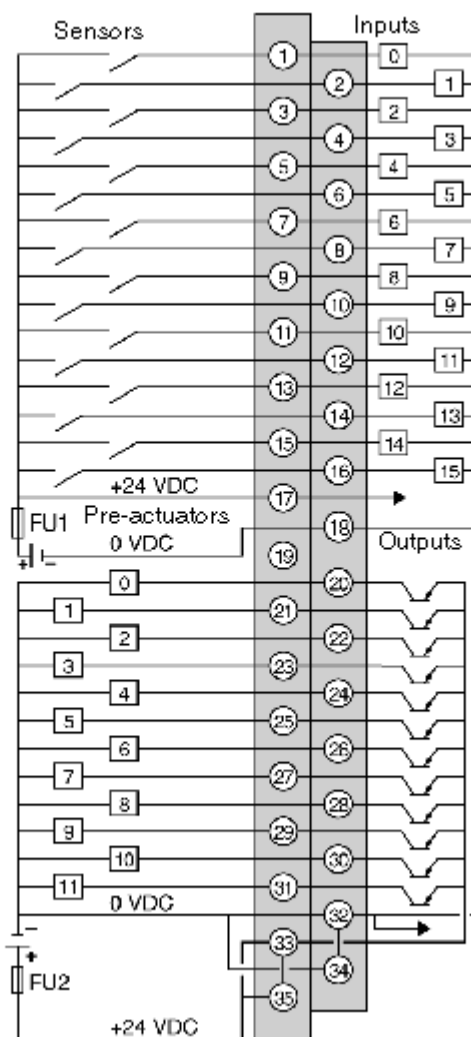
Repair

No

Connections and Schema

Sensors/Inputs and pre-Actuators/Outputs Connections

Wiring Diagram



FU1 = 0.5A fuse with rapid fusion.
 FU2 = 6.3A fuse with rapid fusion.