

Product data sheet

Specifications



TSX Micro 37 21/22 PLC configurations

TSX3721101

! Discontinued on: 31 December 2019

! To be end-of-service on: 31 December 2027

! Discontinued - Service only

Main

Range of product	Modicon TSX Micro automation platform
Product or component type	Modular base controller
Primary voltage	24 V 19.2...30 V DC
Input current	2 mA 60 A
Immunity to microbreaks	10 ms

Complementary

Number of slots	3
Integrated connection type	1 serial link (TER/AUX) Uni-Telway 19.2 kbit/s 1 Modbus Modbus RTU 19.2 kbit/s
Realtime clock	With
Memory description	Flash 15 Kwords data Internal RAM 20 Kwords data Internal RAM (with PCMCIA card) 128 Kwords program and data Internal RAM 128 Kwords data storage
Maximum size of object areas	128 %KWi constant words 1 %MWi internal words 256 %Mi
Execution time per instruction	0.13 μ s Boolean without PCMCIA card 4.5 μ s arithmetic REAL floating without PCMCIA card 0.19 μ s Boolean with PCMCIA card 4.5 μ s arithmetic REAL floating with PCMCIA card
Execution time for 1 Kinstruction	5.88 100 % Boolean without PCMCIA card 0.27 65 % Boolean and 35 % numerical without PCMCIA card 4 100 % Boolean with PCMCIA card 0.266 65 % Boolean and 35 % numerical with PCMCIA card
Application structure	1 fast task 16 event tasks 1 master task
System overhead	1.6 ms for master task
Protection type	Short-circuit Overload protection
Total useful secondary power	16 W
Electromagnetic compatibility	Electrostatic discharge conforming to IEC 1000-4-2 level 3 Electromagnetic field immunity test conforming to IEC 1000-4-3 level 3 Resistance to fast transient conforming to IEC 1000-4-4 level 3 Immunity to impulse waves conforming to IEC 1000-4-5 Damped oscillatory wave conforming to IEC 1000-4-12 Immunity to electromagnetic interference conforming to IEC 61131-2

Environment

Ambient air temperature for operation	0...60 °C
Ambient air temperature for storage	-25...70 °C
Relative humidity	5...95 % without condensation for operation
Operating altitude	0...2000 m
Width	341.4 mm
Height	151 mm
Depth	152 mm
Net weight	1.72 kg

Packing Units

Unit Type of Package 1	PCE
Number of Units in Package 1	1
Package 1 Weight	1.739 kg
Package 1 Height	15.0 cm
Package 1 width	17.0 cm
Package 1 Length	24.0 cm
Unit Type of Package 2	S04
Number of Units in Package 2	4
Package 2 Weight	8.1 kg
Package 2 Height	30.0 cm
Package 2 width	40.0 cm
Package 2 Length	60.0 cm

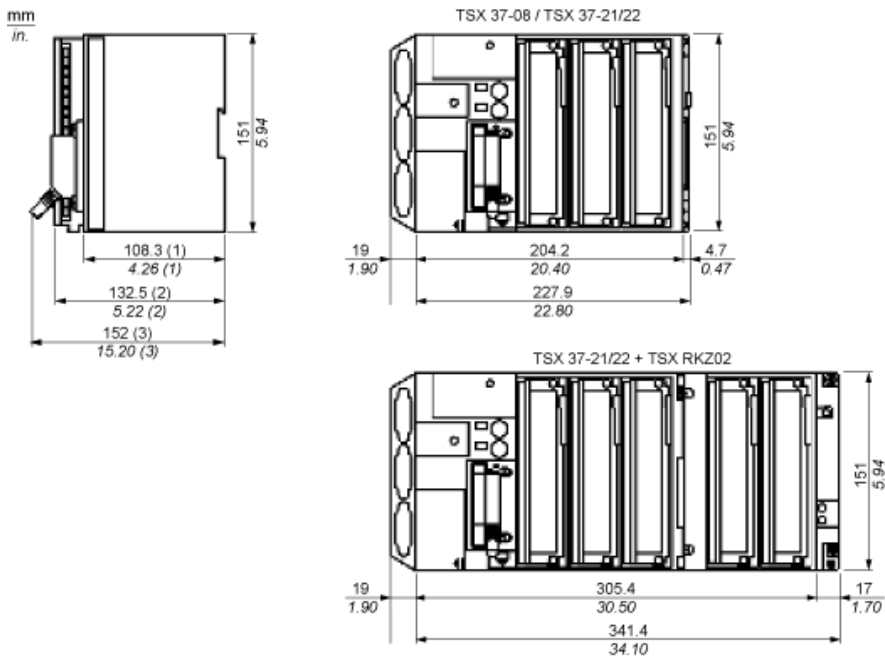
Offer Sustainability

EU RoHS Directive	Not applicable, out of EU RoHS legal scope
China RoHS Regulation	China RoHS declaration
WEEE	The product must be disposed on European Union markets following specific waste collection and never end up in rubbish bins

Contractual warranty

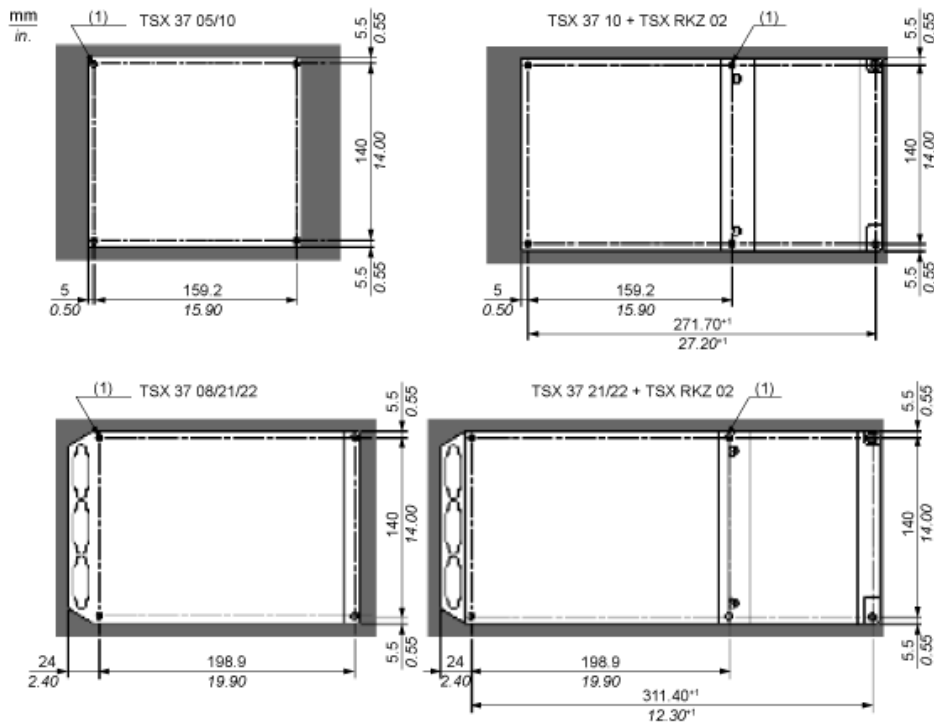
Warranty	18 months
----------	-----------

Dimensions



- (1) PLC empty.
- (2) With screw terminal block.
- (3) With HE10 or SubD connector.

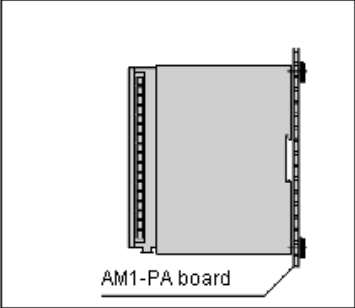
Panel/Board Mounting



(1) The diameter of the fixing holes must be sufficient to take M4 screws.

Telequick Board Mounting

Side View



Use 4 screws with M4x16AF1-VA416 captive washers and 4 M4 AF1-EA4 clip nuts.