

# Product datasheet

Specifications



## Discrete input module, Modicon Premium, 32 inputs, compatible with 2/3 wires proximity sensors, 1W

TSXDEY32D2K

⚠ To be discontinued on: 31 Dec 2026

⚠ To be end-of-service on: 31 Dec 2026

⚠ Discontinued - Service only

### Main

Range of product	Modicon Premium Automation platform
Product or component type	Discrete input module
Discrete input number	32 current sink isolated conforming to EN/IEC 61131-2 type 1
Discrete input voltage	24 V DC positive
Sensor power supply	19...30 V
Discrete input current	3.5 mA

### Complementary

Voltage state 1 guaranteed	$\geq 11$ V
Current state 1 guaranteed	$\geq 3$ mA
Voltage state 0 guaranteed	$\leq 5$ V
Current state 0 guaranteed	$\leq 1.5$ mA
Input impedance	6300 Ohm at state 1
Response time	$\leq 7$ ms 4 ms
isalotion resistance	$< 10$ MOhm 500 V DC
Power dissipation	(1 W + 0.1 W x No of channels used)
Electrical connection	HE-10 connector
Marking	CE
Current consumption	135 mA at 5 V DC 160 mA at 24 V DC
Module format	Standard
Net weight	0.3 kg

### Environment

Dielectric strength	1500 V AC at 50/60 Hz
---------------------	-----------------------

Disclaimer: This documentation is not intended as a substitute for and is not to be used for determining suitability or reliability of these products for specific user applications

<b>Standards</b>	CSA C22.2 No 213 Class I Division 2 Group B IEC 60664 CSA C22.2 No 142 CSA C22.2 No 213 Class I Division 2 Group A 92/31/EEC EN/IEC 61131-2 UL 508 CSA C22.2 No 213 Class I Division 2 Group D 93/68/EEC CSA C22.2 No 213 Class I Division 2 Group C 73/23/EEC 89/336/EEC
<b>Product certifications</b>	LR GL BV RMRS RINA ABS DNV
<b>Ambient air temperature for operation</b>	0...60 °C
<b>Ambient air temperature for storage</b>	-25...70 °C
<b>Relative humidity</b>	10...95 % without condensation for operation 5...95 % without condensation for storage
<b>Operating altitude</b>	0...2000 m
<b>Protective treatment</b>	TC
<b>IP degree of protection</b>	IP20
<b>Pollution degree</b>	2

## Packing Units

<b>Unit Type of Package 1</b>	PCE
<b>Number of Units in Package 1</b>	1
<b>Package 1 Height</b>	5.5 cm
<b>Package 1 Width</b>	18.0 cm
<b>Package 1 Length</b>	26.0 cm
<b>Package 1 Weight</b>	412.0 g

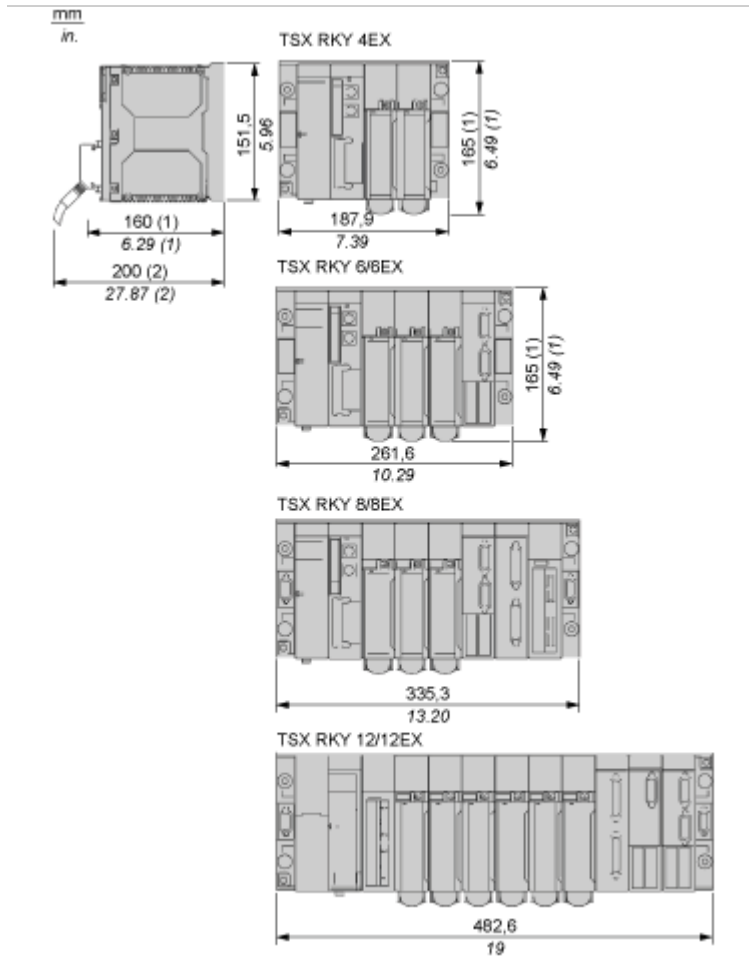
## Contractual warranty

<b>Warranty (in months)</b>	18
-----------------------------	----

Dimensions Drawings

Standard and Extendable Racks for Modules Mounting

Dimensions of Modules and Racks



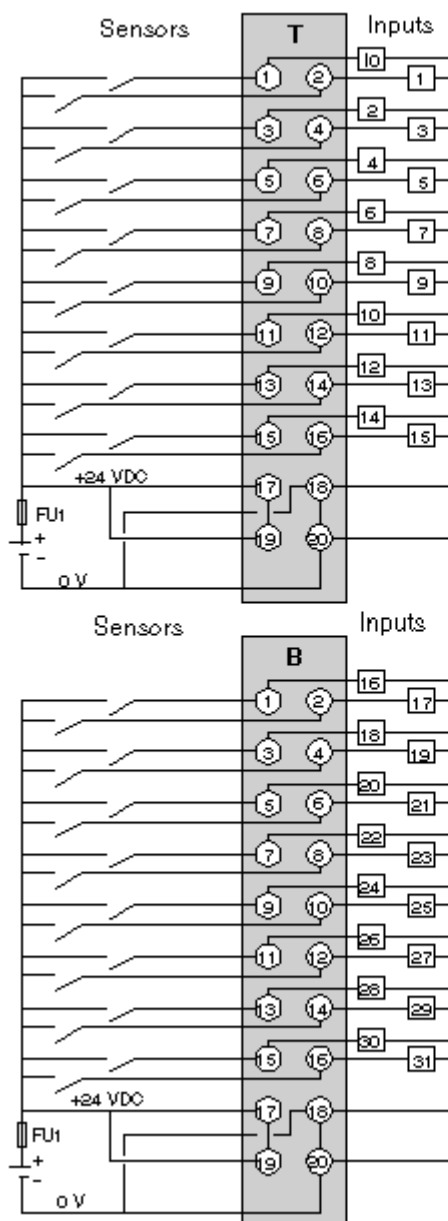
(1) With screw terminal block modules.

(2) Maximum depth for all types of modules and their associated connectors.

Connections and Schema

24 Vdc Discrete Input 32-Channel Module

Wiring Diagram



FU1 0.5 A quick-blow fuse