

Product datasheet

Specifications



Discrete output module, Modicon Premium, 32 outputs, 1.6W, overvoltage protection by transil diode

TSXDSY32T2K

! Discontinued - Service only

! To be discontinued on: 31 Dec 2026

! To be end-of-service on: 31 Dec 2026

Main

Range of product	Modicon Premium Automation platform
Product or component type	Discrete output module
Discrete output number	32
Discrete output type	Solid state protected
Discrete output voltage	24 V DC positive conforming to EN/IEC 61131-2 19...30 V

Complementary

Current per channel	0.1 A
Maximum current per module	3.2 A
Maximum leakage current	0.1 mA, at 30 V
Maximum tungsten load	1.2 W
[Ures] residual voltage	1.5 V
Response time	1.2 ms
Paralleling of outputs	Yes : 3 maximum
Output overvoltage protection	By transil diode
Reverse polarity protection	Reverse mounted diode
Output overload protection	Automatic trip
Short-circuit protection	Automatic trip
Minimum load impedance	220 W at state 1
isalotion resistance	> 10 MOhm 500 V
Power dissipation	(1.6 W + 0.1 W x No of outputs)
Product compatibility	Dial and Power
Marking	CE
Electrical connection	2 connectors HE-10
Current consumption	140 mA at 5 V DC
Module format	Standard
Net weight	0.3 kg

Environment

Dielectric strength	1500 V 50/60 Hz 60 s
Standards	CSA C22.2 No 213 Class I Division 2 Group A CSA C22.2 No 213 Class I Division 2 Group B CSA C22.2 No 142 CSA C22.2 No 213 Class I Division 2 Group D 73/23/EEC CSA C22.2 No 213 Class I Division 2 Group C IEC 61131-2 89/336/EEC UL 508 92/31/EEC 93/68/EEC
Product certifications	ABS RINA GL DNV RMRS LR BV
Ambient air temperature for operation	0...60 °C
Ambient air temperature for storage	-25...70 °C
Relative humidity	10...95 % without condensation for operation 5...95 % without condensation for storage
Operating altitude	0...2000 m
Protective treatment	TC
IP degree of protection	IP20
Pollution degree	2

Packing Units

Unit Type of Package 1	PCE
Number of Units in Package 1	1
Package 1 Height	5.5 cm
Package 1 Width	18.0 cm
Package 1 Length	26.0 cm
Package 1 Weight	417.0 g

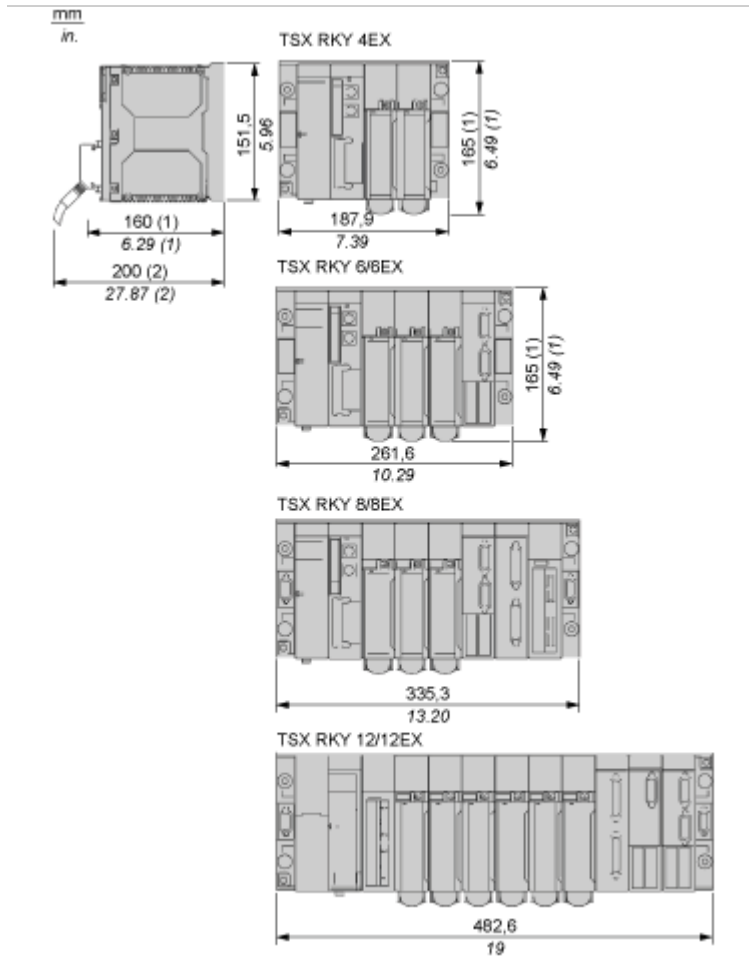
Contractual warranty

Warranty (in months)	18
-----------------------------	----

Dimensions Drawings

Standard and Extendable Racks for Modules Mounting

Dimensions of Modules and Racks



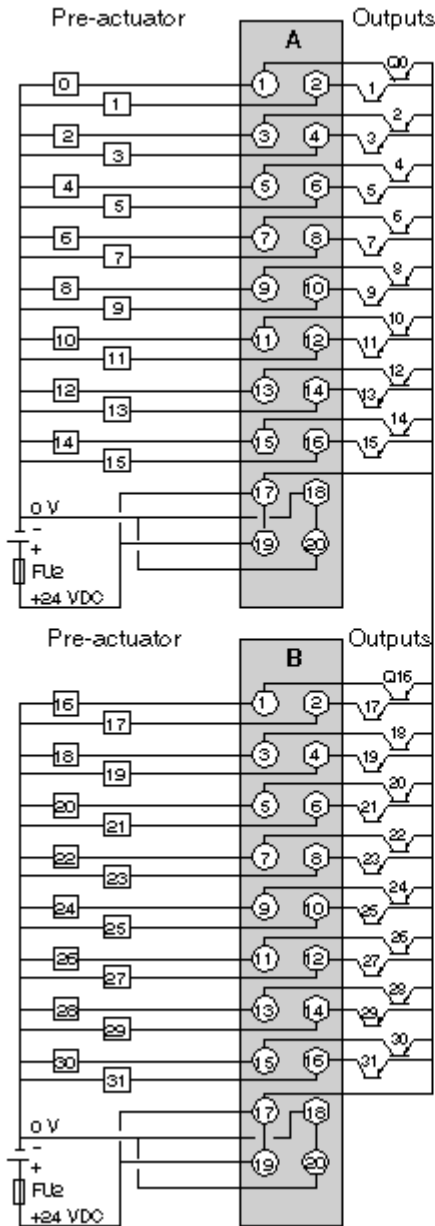
(1) With screw terminal block modules.

(2) Maximum depth for all types of modules and their associated connectors.

Connections and Schema

Discrete Transistor Output 32-Channel Module for Direct Current

Wiring Diagram



FU2 2 A quick-blow fuse.

NOTE: It is compulsory to connect:

- the + 24 VDC to terminals 17 and 19;
- the 0 V to terminals 18 and 20.