

Product datasheet

Specifications



ISP Plus weighing module, Modicon Premium, 20 bits resolution, 150mA at 5VDC, 50 measurements per second

TSXISPY101

! Discontinued - Service only

! To be discontinued on: 31 Dec 2026

! To be end-of-service on: 31 Dec 2026

Main

| | |
|---------------------------|-------------------------------------|
| Range of product | Modicon Premium Automation platform |
| Product or component type | ISP Plus weighing module |

Complementary

| | |
|-----------------------------|--|
| Number of measurement input | 1 |
| Resolution | 1048576 points |
| Analogue input resolution | 20 bits |
| Measuring rate | 50 measurements per second |
| Input impedance | > 1 MOhm |
| Input compatibility | Load cell 1...8 350 Ohm yes <300 m |
| Sensor power supply | 10 V DC |
| Output compatibility | Discrete reflex 2 positive |
| Discrete output voltage | 24 V DC |
| Discrete output current | 500 mA |
| Response time on output | 1 ms |
| Transmission rate | 9.6 kbit/s RS485 non isolated <= 30 m discrete reflex weight indicator |
| Voltage division | 1 μ V |
| Electrical connection | 1 connector screw terminal block for connecting 2 discrete reflex 1 female connector SUB-D 15 for the indicator input 1 female connector SUB-D 9 for RS485 serial link to the weight indicator |
| Marking | CE |
| Current consumption | 145 mA at 24 V rack 150 mA at 5 V DC |
| Module format | Standard |
| Net weight | 0.42 kg |

Environment

| | |
|---------------------------------------|---|
| Ambient air temperature for operation | 0...60 °C |
| Ambient air temperature for storage | -25...70 °C |
| Relative humidity | 10...95 % without condensation for operation 5...95 % without condensation for storage |

| | |
|---------------------------|------------|
| Operating altitude | 0...2000 m |
|---------------------------|------------|

| | |
|-------------------------------|--------------|
| Product certifications | SDM No 97.06 |
|-------------------------------|--------------|

Packing Units

| | |
|-------------------------------|-----|
| Unit Type of Package 1 | PCE |
|-------------------------------|-----|

| | |
|-------------------------------------|---|
| Number of Units in Package 1 | 1 |
|-------------------------------------|---|

| | |
|-------------------------|--------|
| Package 1 Height | 5.5 cm |
|-------------------------|--------|

| | |
|------------------------|---------|
| Package 1 Width | 18.0 cm |
|------------------------|---------|

| | |
|-------------------------|---------|
| Package 1 Length | 26.0 cm |
|-------------------------|---------|

| | |
|-------------------------|---------|
| Package 1 Weight | 492.0 g |
|-------------------------|---------|

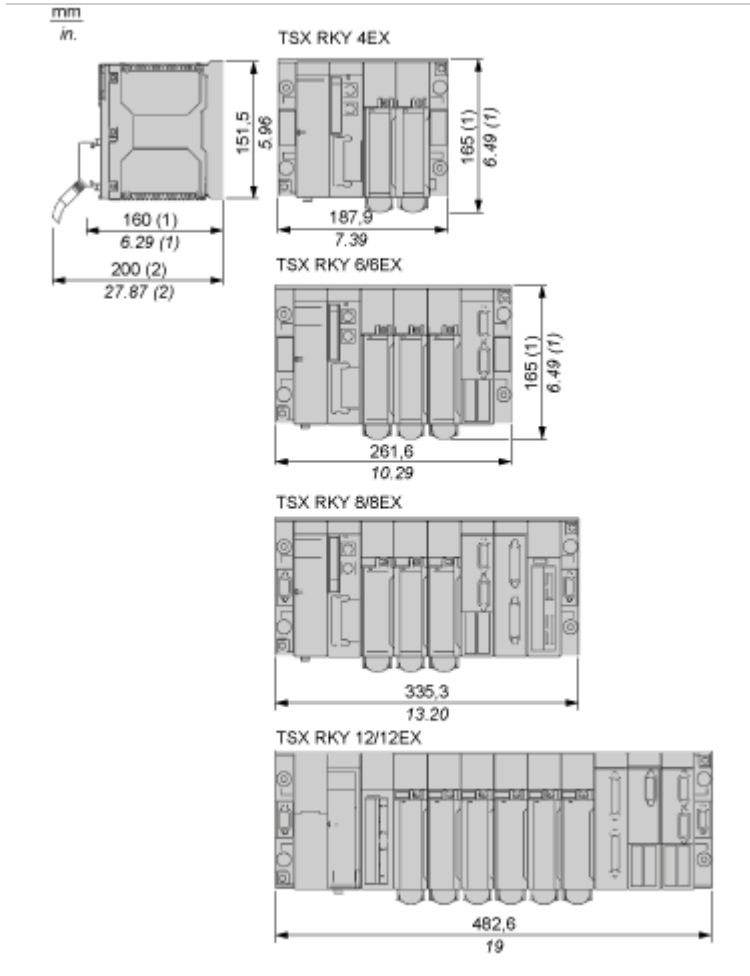
Contractual warranty

| | |
|-----------------------------|----|
| Warranty (in months) | 18 |
|-----------------------------|----|

Dimensions Drawings

Standard and Extendable Racks for Modules Mounting

Dimensions of Modules and Racks



(1) With screw terminal block modules.

(2) Maximum depth for all types of modules and their associated connectors.

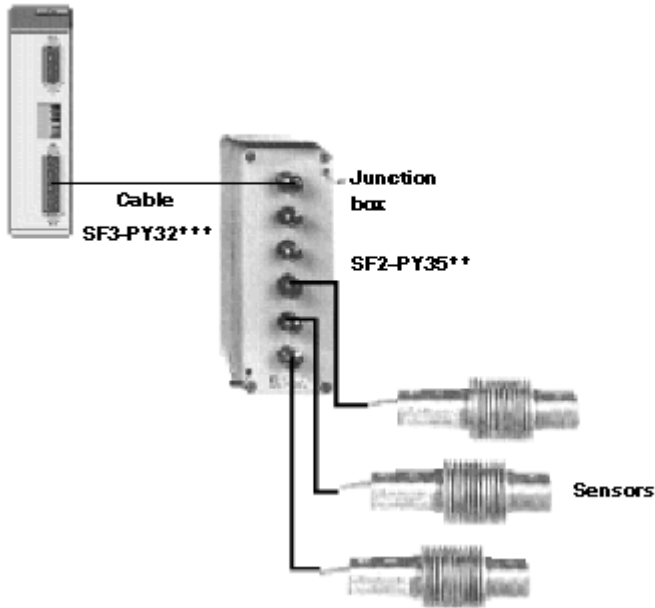
Connections and Schema

Connecting the Measurement Sensors

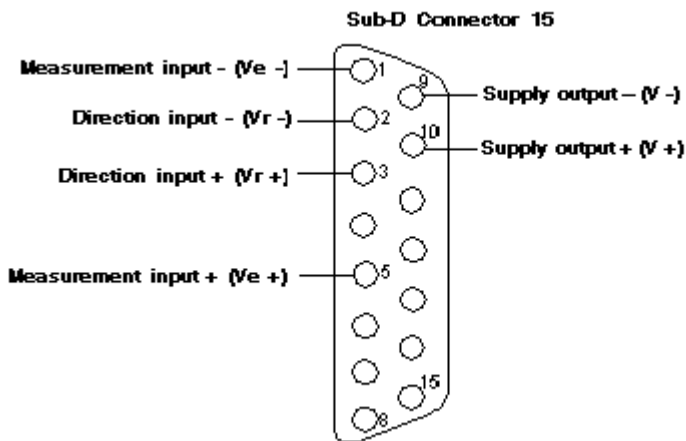
Cabling Accessories

The measurement sensors are connected to the module 15 pin female SUB-D connector.

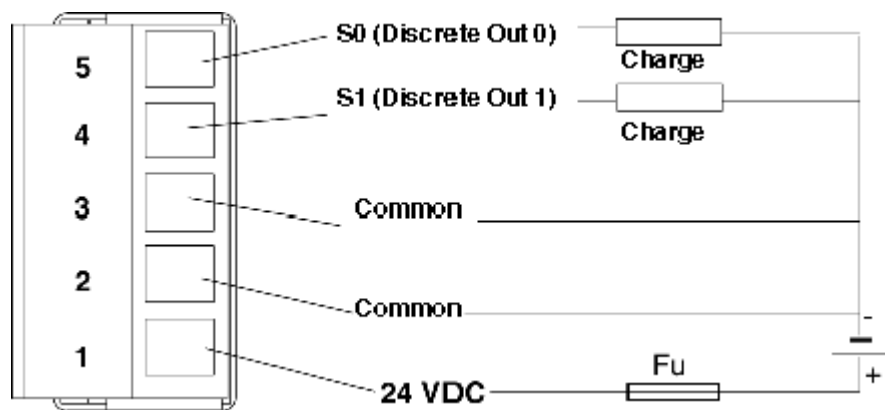
TSX ISP Y101



15-pin SUB-D Connector Pinout



Connection to Discrete Outputs of the Weighing Module



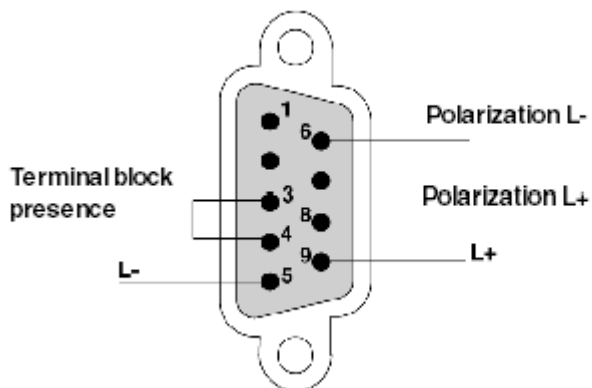
Fu Fast-acting fuse

The common 2 and 3 are linked by the card.

Serial Link for the Display Panel

Module Connector Pinout

The RS 485 serial link is used to carry over the weight to an external display panel.



The line on the module side is polarized using straps 6-5 and 8-9.