

# Product data sheet

Specifications



## analog output module X80 - 8 outputs

BMXAMO0802

### Main

Range of product	Modicon X80
Product or component type	Analog output module
Electrical connection	20 ways 1 connector
Isolation between channels	Non isolated

### Complementary

Analogue input resolution	16 bits
Measurement error	$\leq 0.25\%$ of full scale 0...60 °C $0.1\%$ of full scale 25 °C
Temperature drift	45 ppm/°C 0...20 mA 45 ppm/°C 4...20 mA
Minimum crosstalk attenuation	80 dB
Common mode rejection	80 dB
Isolation voltage	1400 V DC between channels and ground 1400 V DC between channels and bus
Detection type	Open circuit 4...20 mA Short circuit 0...20 mA
Load impedance ohmic	$\leq 350\ \Omega$ 0...20 mA $\leq 350\ \Omega$ 4...20 mA
Output level	High level
Analogue output number	8
Analogue output type	Current: 0...20 mA Current: 4...20 mA
Analogue output resolution	16 bits
Supply	Internal power supply via rack
Conversion time	$\leq 4\ \text{ms}$
Maximum conversion value	0...21 mA 0...20 mA 0...21 mA 4...20 mA
Fallback mode	Configurable Predefined
MTBF reliability	1500000 H
Operating altitude	0...2000 m 2000...5000 m with derating factor
Status LED	1 LED (green) RUN 1 LED per channel (green) channel diagnostic 1 LED (red) ERR

1 LED (red) I/O

<b>Net weight</b>	0.15 kg
<b>Power consumption in W</b>	3.6 W 24 V DC typical 3.9 W 24 V DC maximum 0.35 W 3.3 V DC typical 0.48 W 3.3 V DC maximum

## Environment

<b>Vibration resistance</b>	3 gn
<b>Shock resistance</b>	30 gn
<b>Ambient air temperature for storage</b>	-40...85 °C
<b>Ambient air temperature for operation</b>	0...60 °C
<b>Relative humidity</b>	5...95 % at 55 °C without condensation
<b>IP degree of protection</b>	IP20
<b>Directives</b>	2014/35/EU - low voltage directive 2014/30/EU - electromagnetic compatibility
<b>Product certifications</b>	CE RCM CSA EAC Merchant Navy UL
<b>Standards</b>	EN/IEC 61010-2-201 EN/IEC 61131-2 UL 61010-2-201 CSA C22.2 No 61010-2-201

## Packing Units

<b>Unit Type of Package 1</b>	PCE
<b>Number of Units in Package 1</b>	1
<b>Package 1 Height</b>	5.300 cm
<b>Package 1 Width</b>	11.000 cm
<b>Package 1 Length</b>	11.600 cm
<b>Package 1 Weight</b>	169.000 g
<b>Unit Type of Package 2</b>	S02
<b>Number of Units in Package 2</b>	15
<b>Package 2 Height</b>	15.000 cm
<b>Package 2 Width</b>	30.000 cm
<b>Package 2 Length</b>	40.000 cm
<b>Package 2 Weight</b>	2.888 kg

## Offer Sustainability

<b>Sustainable offer status</b>	Green Premium product
<b>REACH Regulation</b>	<a href="#">REACH Declaration</a>
<b>REACH free of SVHC</b>	Yes
<b>EU RoHS Directive</b>	Pro-active compliance (Product out of EU RoHS legal scope) <a href="#">EU RoHS Declaration</a>
<b>Mercury free</b>	Yes
<b>China RoHS Regulation</b>	<a href="#">China RoHS declaration</a>
<b>RoHS exemption information</b>	Yes

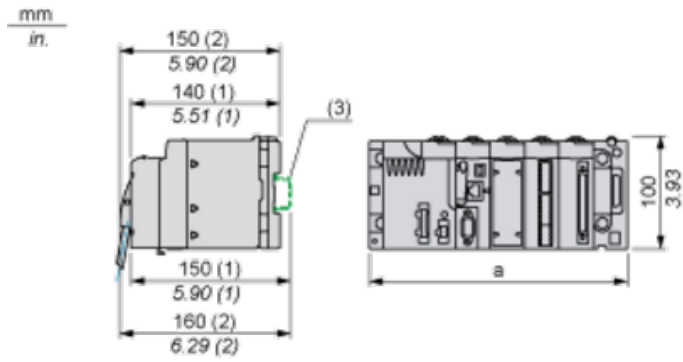
<b>Environmental Disclosure</b>	<a href="#">Product Environmental Profile</a>
<b>Circularity Profile</b>	<a href="#">End of Life Information</a>
<b>WEEE</b>	The product must be disposed on European Union markets following specific waste collection and never end up in rubbish bins
<b>California proposition 65</b>	WARNING: This product can expose you to chemicals including: Lead and lead compounds, which is known to the State of California to cause cancer and birth defects or other reproductive harm. For more information go to <a href="http://www.P65Warnings.ca.gov">www.P65Warnings.ca.gov</a>

## Contractual warranty

<b>Warranty</b>	18 months
-----------------	-----------

**Modules Mounted on Racks**

**Dimensions**



(1) With removable terminal block (cage, screw or spring).

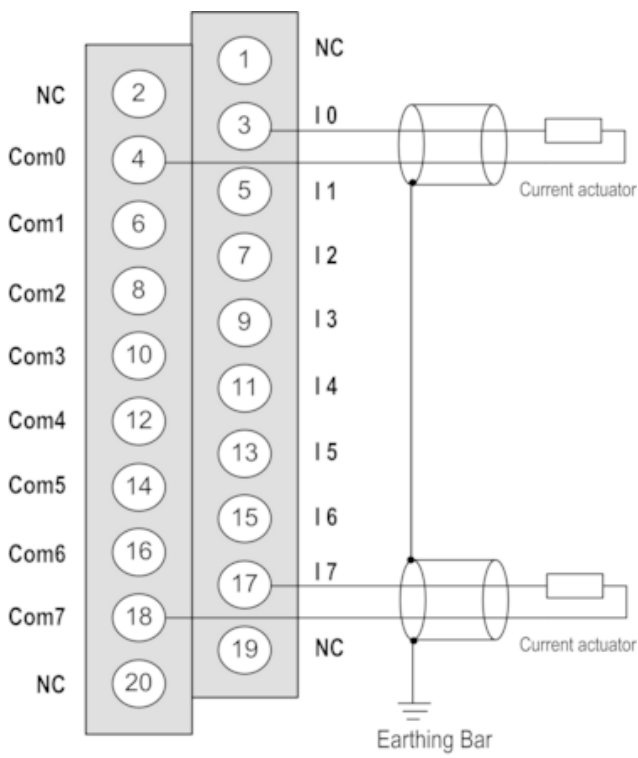
(2) With FCN connector.

(3) On AM1 ED rail: 35 mm wide, 15 mm deep. Only possible with BMXXBP0400/0400H/0600/0600H/0800/0800H rack.

Rack references	a in mm	a in in.
BMXXBP0400 and BMXXBP0400H	242.4	09.54
BMXXBP0600 and BMXXBP0600H	307.6	12.11
BMXXBP0800 and BMXXBP0800H	372.8	14.68
BMXXBP1200 and BMXXBP1200H	503.2	19.81

**Wiring Diagram**

---



**I<sub>x</sub>** + pole input for channel x.

**COM<sub>x</sub>** - pole input for channel x, COM<sub>x</sub> are connected together internally.

The current loop is self-powered by the output and does not request any external supply.

**Recommended replacement(s)**